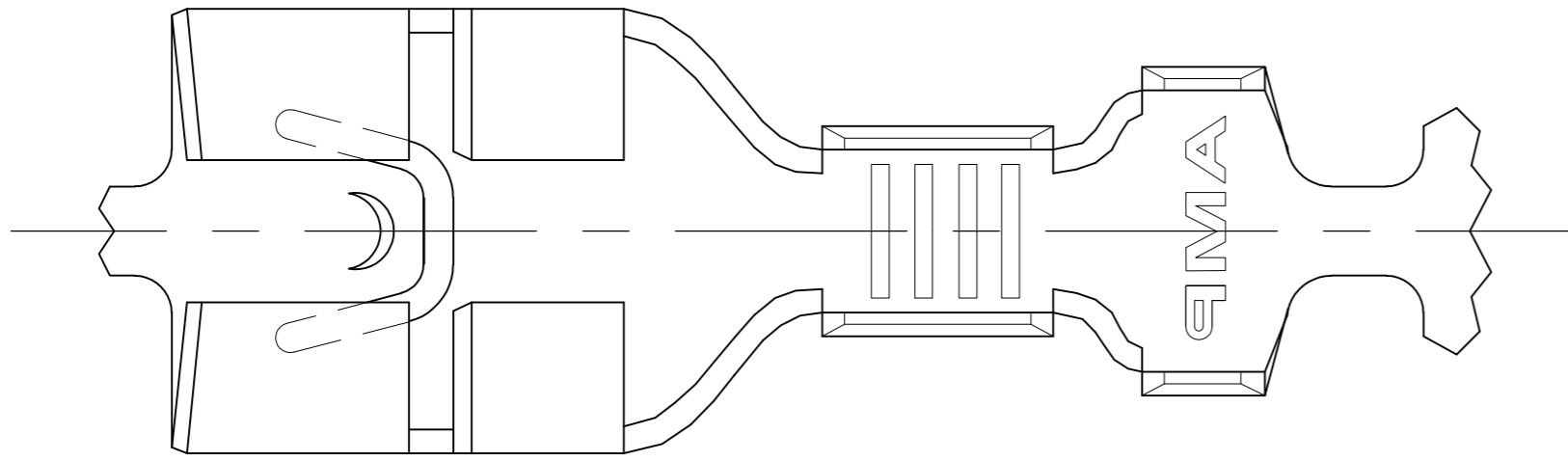
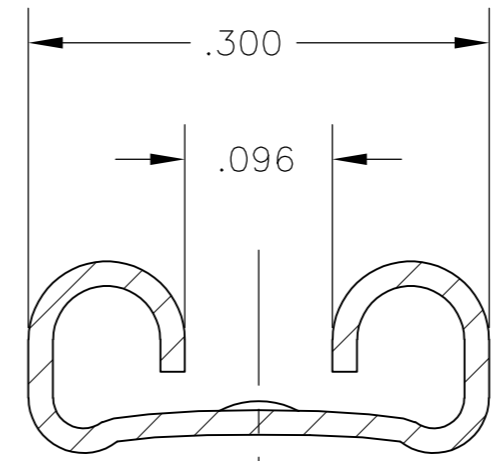


THIS DRAWING IS UNPUBLISHED. RELEASED FOR PUBLICATION  
 © COPYRIGHT - By - ALL RIGHTS RESERVED.

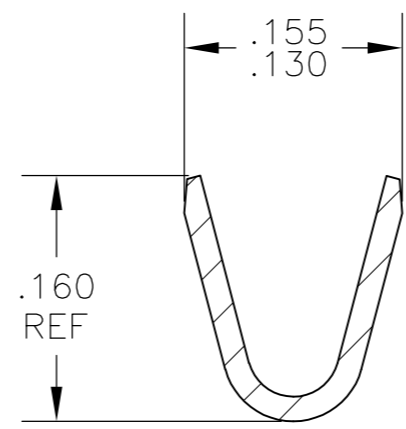
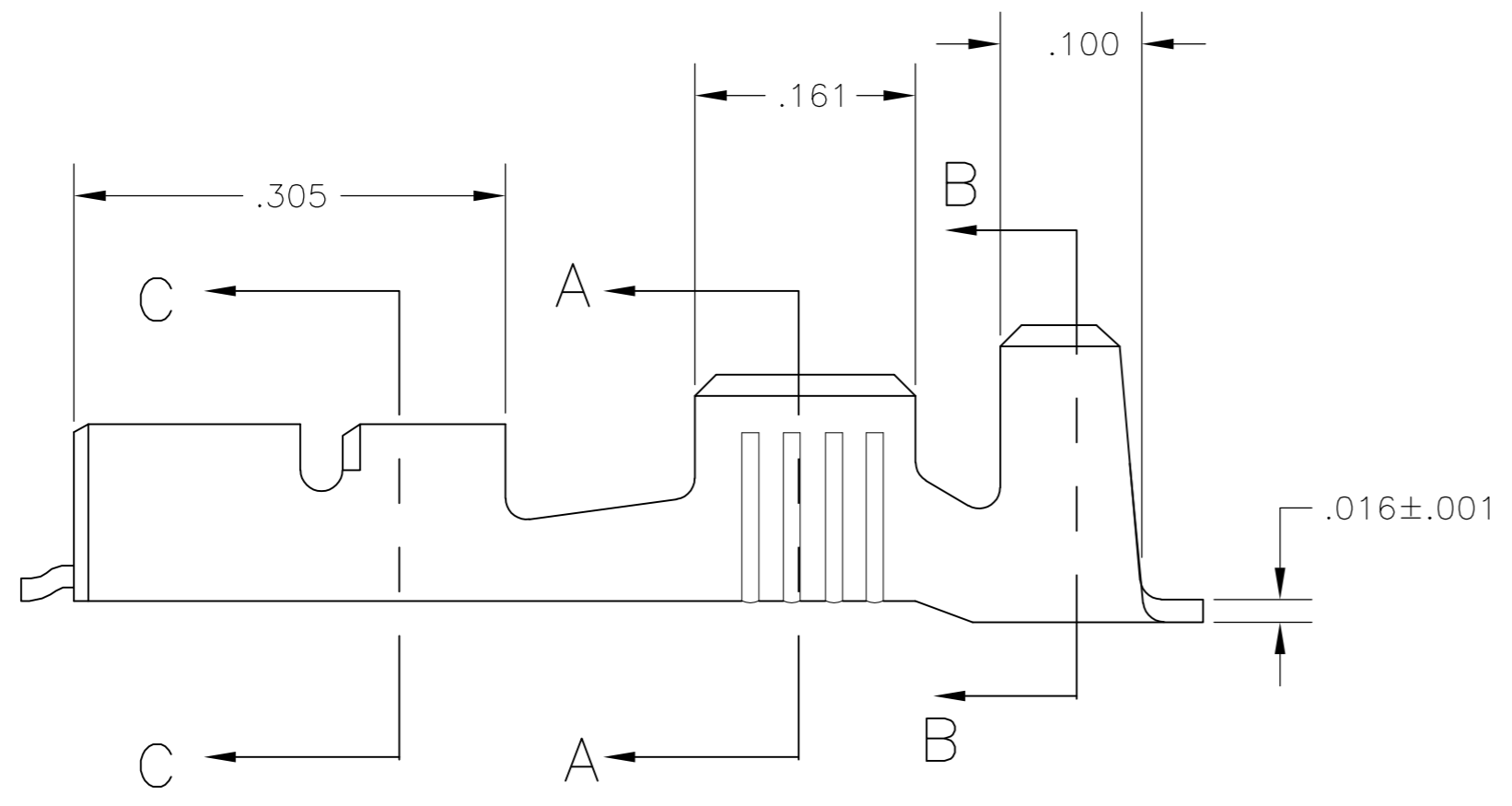
LOC	DIST	REVISIONS					
AF	50	P	LTR	DESCRIPTION	DATE	DWN	APVD
		R		REVISED PER ECR-12-013518	23NOV12	KH	PD



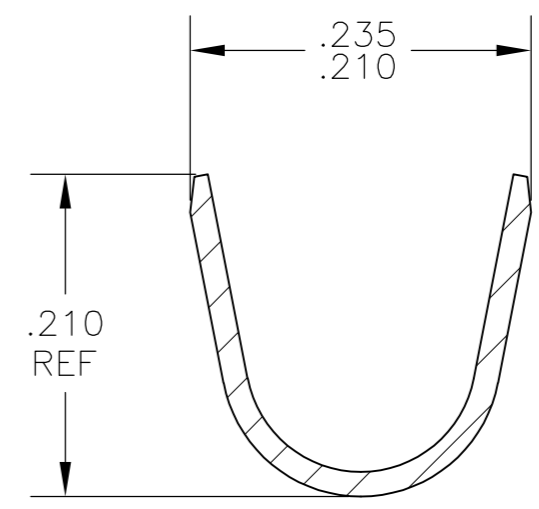
- 1 CONTINUOUS STRIP ON REELS
- △1 ACCEPTS #18-#14 AWG WIRE SIZE
- 3 INSULATION RANGE IS .120-.170 DIA
- 4 MATING TAB THK IS .032±.001.
- △5 REELED WITH INTERLEAVING PAPER
- △6 PRELIMINARY - NOT FOR PRODUCTION



SECTION C-C



SECTION A-A



SECTION B-B

OBSOLETE	△5 STANDARD	.000080 MIN TIN	△6 1-63306-0
	REVERSE	-	63306-3
	STANDARD	TIN	63306-2
	STANDARD	-	63306-1
	REELING	FINISH	PART NO

THIS DRAWING IS A CONTROLLED DOCUMENT.

DWN	JR RUTH	20JUN02	 TE Connectivity								
CHK	P DESANTIS	20JUN02									
APVD	P DESANTIS	20JUN02									
PRODUCT SPEC											
APPLICATION SPEC			NAME	RECEPTACLE, FASTON, .250 SERIES							
MATERIAL	BRASS	FINISH	SEE TABLE	SIZE	A2	CAGE CODE	00779	DRAWING NO	C=63306	RESTRICTED TO	-
				WEIGHT	-	SCALE	8:1	SHEET	1 of 1	REV	R

CUSTOMER DRAWING